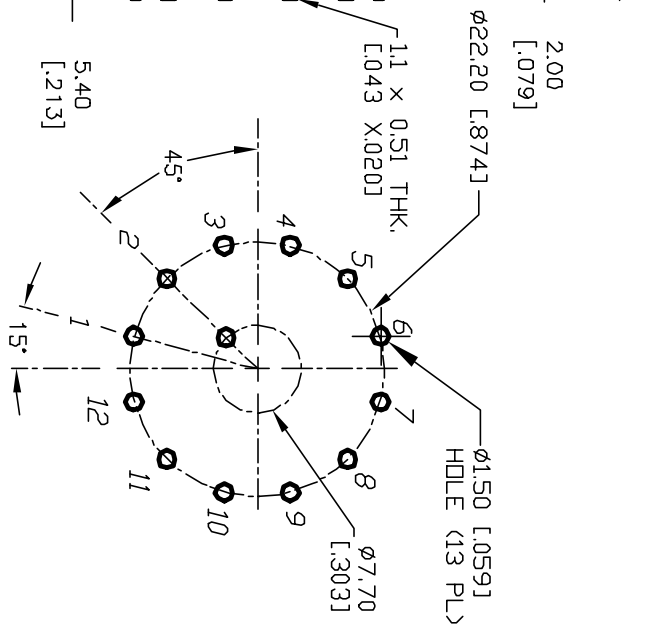
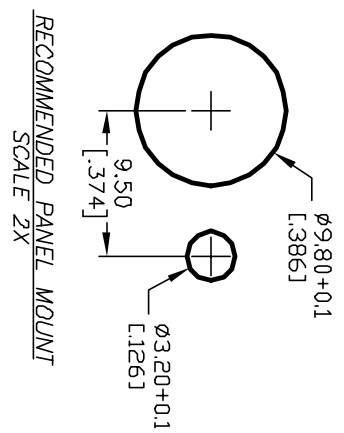
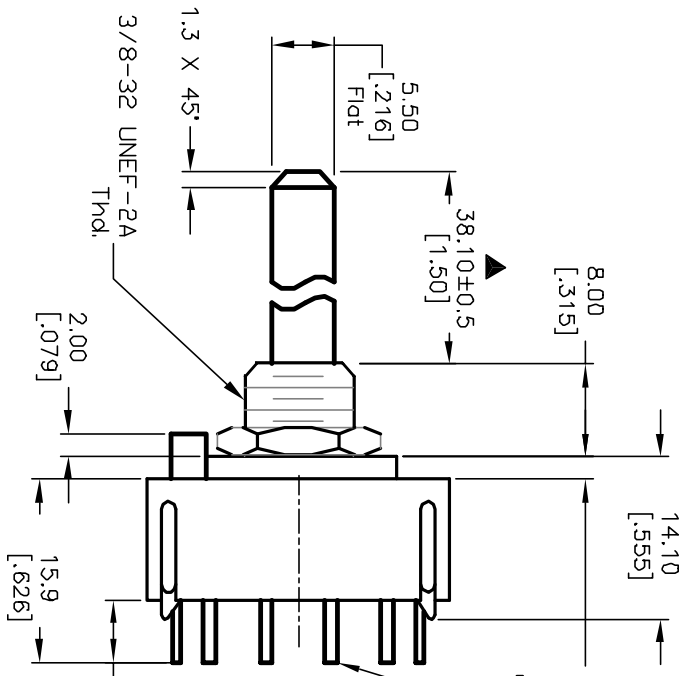
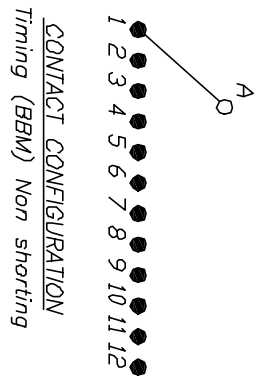
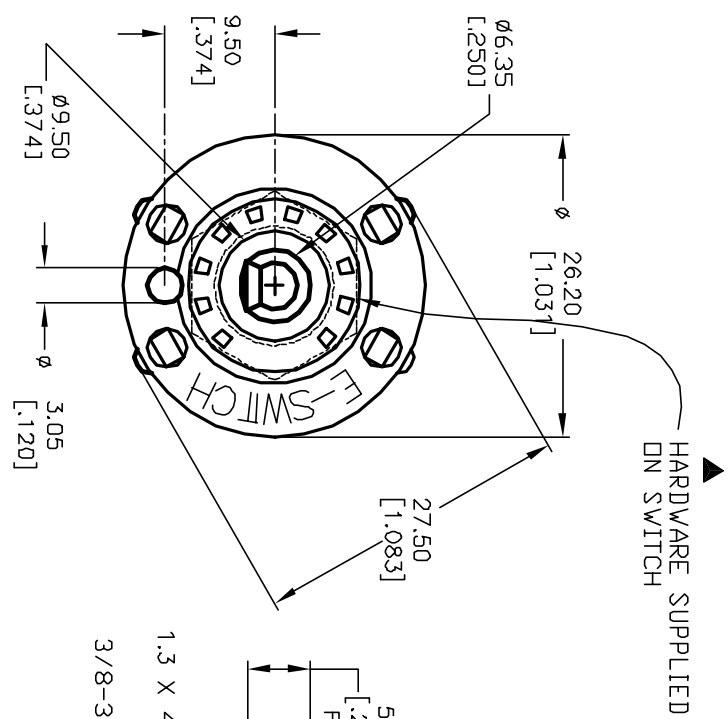


- NOTES:
1. ALL DIMENSION IN MM [INCH]
 2. GENERAL TOLERANCE: X.X=±0.4
X.XXX=±0.25
 3. TERM. NOS. FOR REF. ONLY
 4. CONTACT RATING SWITCHING: 150mA, 250V AC/DC
350mA, 110V AC/DC
 5. CONTACT RATING (NON-SWITCHING) 5A
 6. OPERATING FORCE: 425±100 CM/STANDARD
 7. OPERATING TEMP: -30° to 85°C
 8. CIRCUIT SP: 12 POSITIONS, 30° INDEX.
 9. DIELECTRIC STRENGTH 1000V RMS min. @ SEA LEVEL
 10. DESIGNATE MAJOR DIMENSIONS
 11. HARDWARE SUPPLIED ON SWITCH - SEE BELOW
STOP RING, LOCKWASHER, & HEXNUT



| | | | | |
|------|---------|----------------------------|---------|------|
| C | 12821 | REVISED NOTE 11 | 3/3/03 | CJB |
| B | 12249 | REV PART DESC. PER CATALOG | 6/19/02 | CJB |
| A | 11565 | RELEASED FOR PRODUCTION | 7/13/01 | CJB |
| REV. | ECN No. | DESCRIPTION | DATE | CHKD |

| | | | | | | | | | | | |
|---------------------------|--|-------|--|---------|--|-----|--|---------|--|-----|--|
| TITLE | | SCALE | | DATE | | DR | | DWG | | REV | |
| KC-52-A (38.1mm)-01-N-P-S | | 1.5:1 | | 7/13/01 | | CJB | | G510342 | | C | |

E-SWITCH®

THE INFORMATION CONTAINED IN THIS DOCUMENT IS PROPRIETARY TO E-SWITCH AND IS NOT TO BE COPIED OR TRANSFERRED